

Savannah™

Multi-Angle Studio Easel

- Multi-angle with adjustable tilt
- Four locking casters

- Holds artwork up to 80"
- Measures: 25.5"W× 27.5"D×85"H

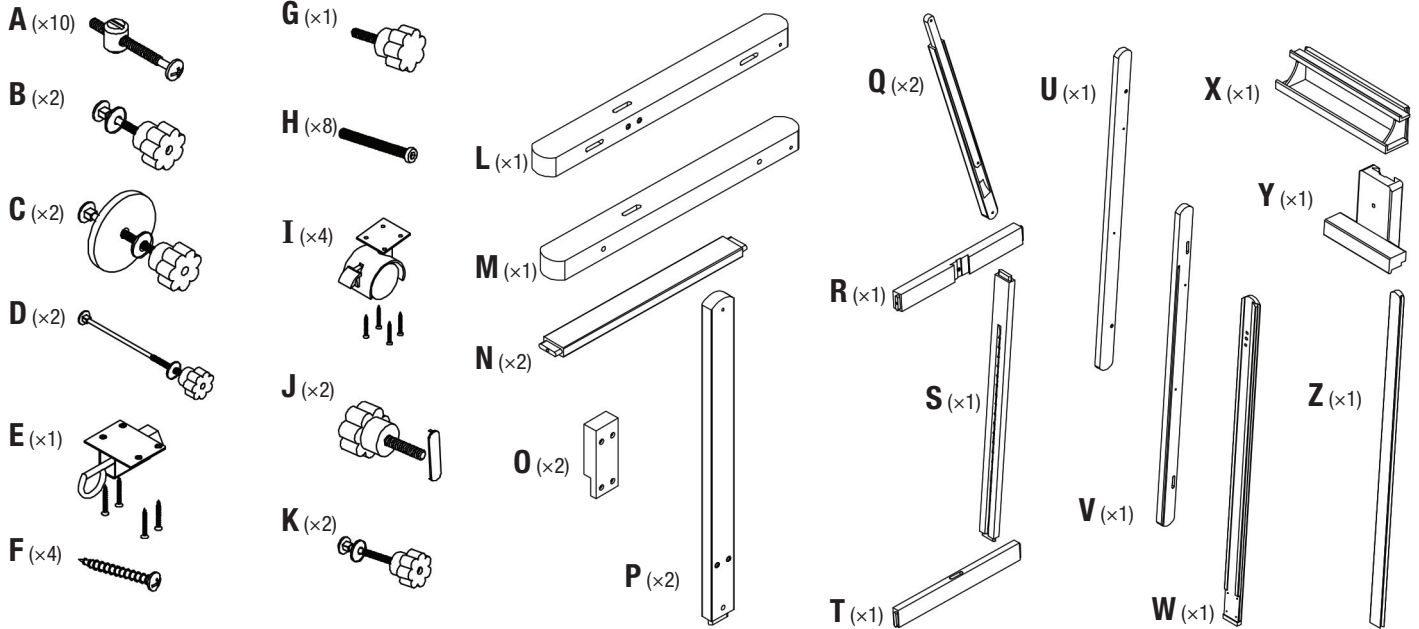
Parts & Hardware

Carefully check contents of box to ensure no parts are missing.



Hex key included

Other tools needed:
Flat & Phillips screwdrivers

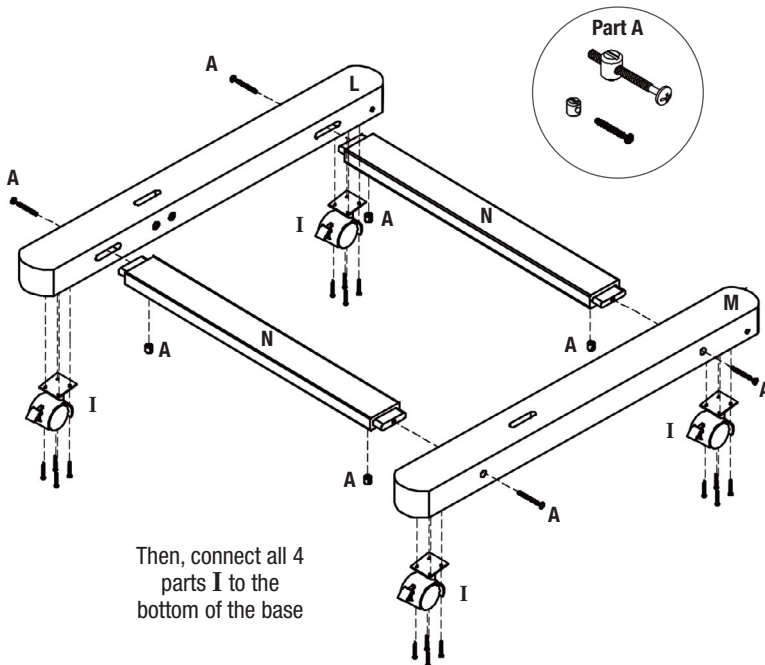


Assembly Details

Carefully review all steps before proceeding.

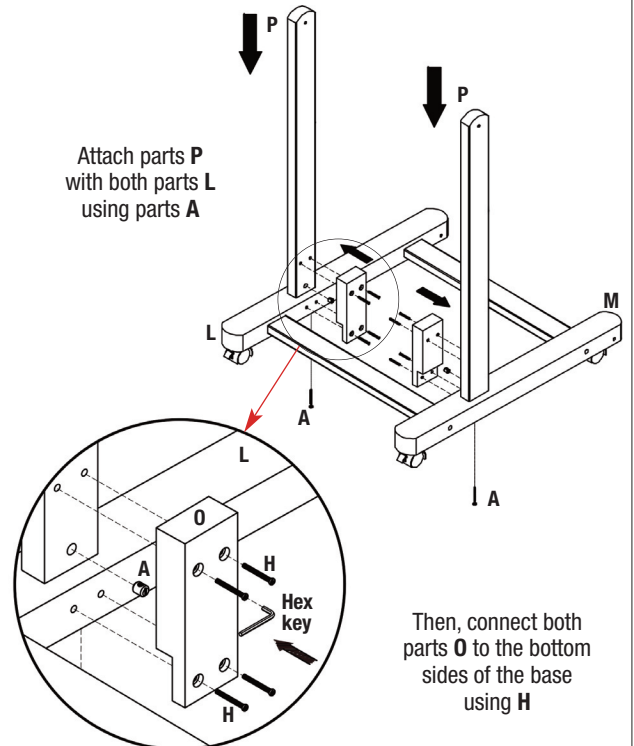
STEP 1

Attach parts **L** and **M** with both parts **N** using part **A**



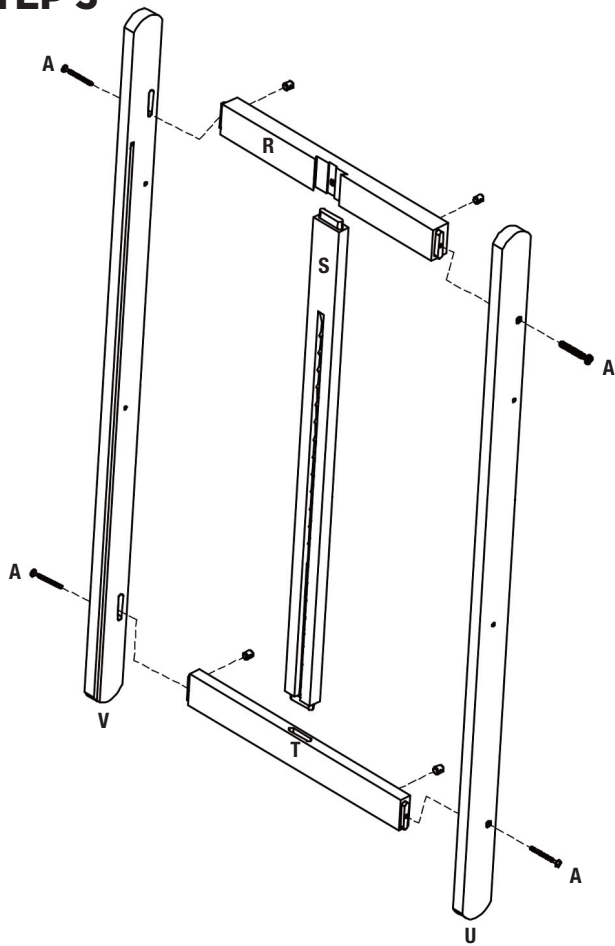
STEP 2

Attach parts **P** with both parts **L** using parts **A**

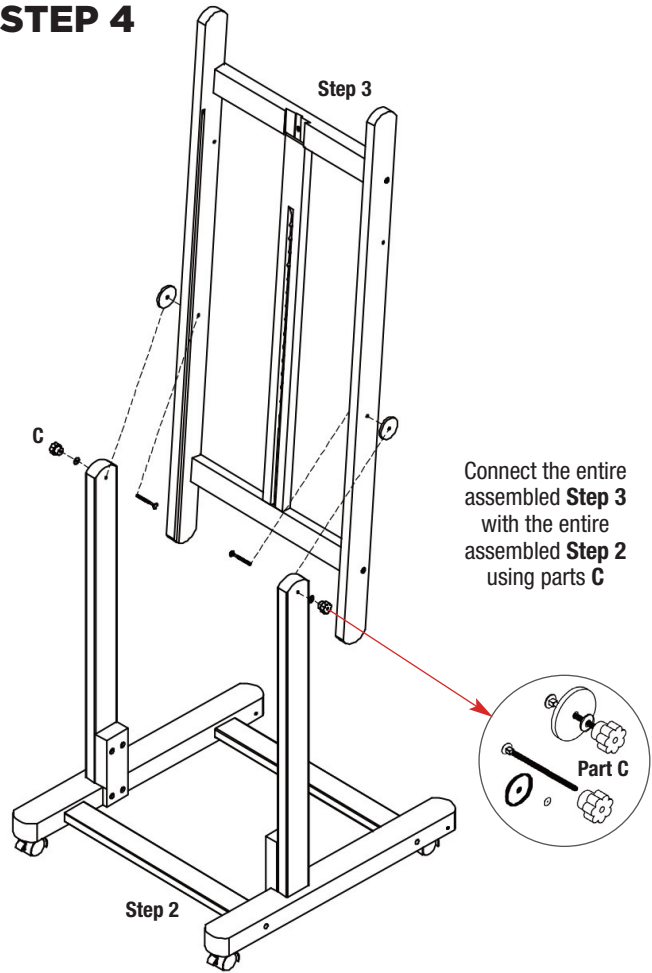


Continued on next page

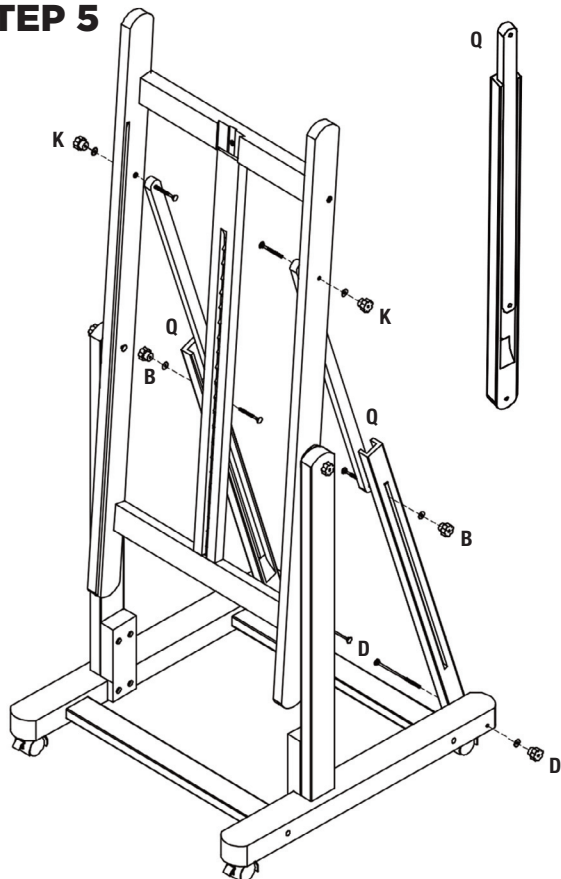
STEP 3



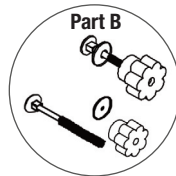
STEP 4



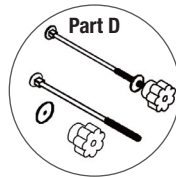
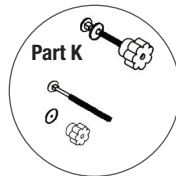
STEP 5



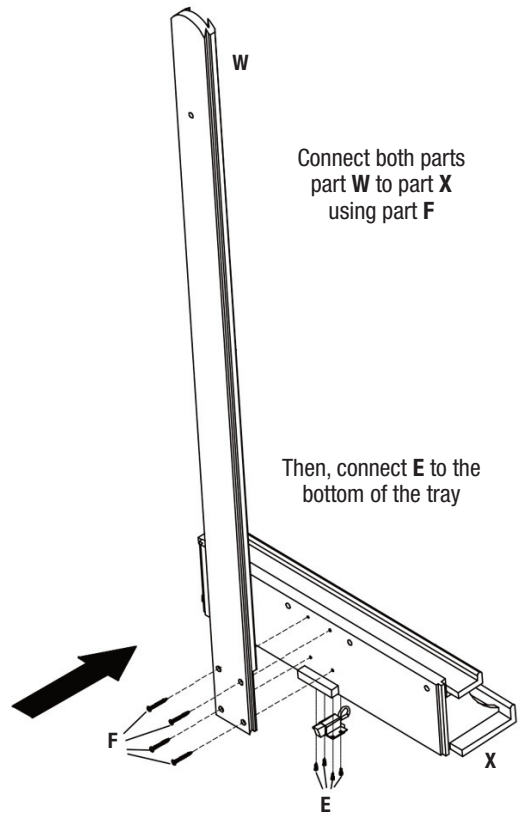
Connect both parts of **Q** using part **B** repeating on both sides



Then, connect **Q** to the rest of the easel using part **K** and part **D**



STEP 6

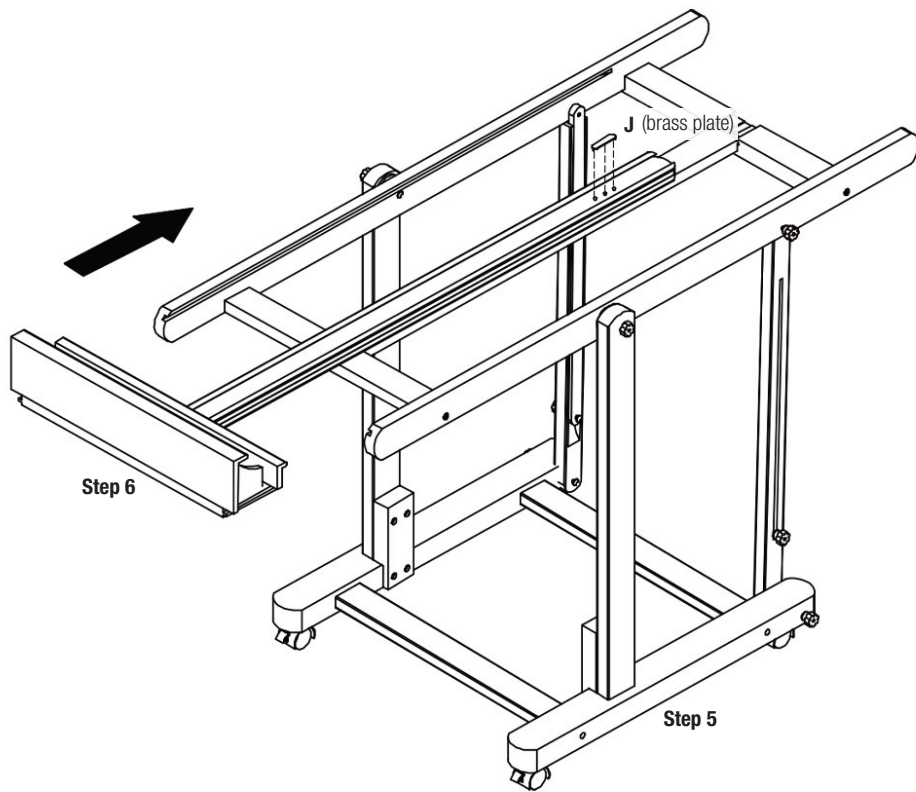


Connect both parts **W** to part **X** using part **F**

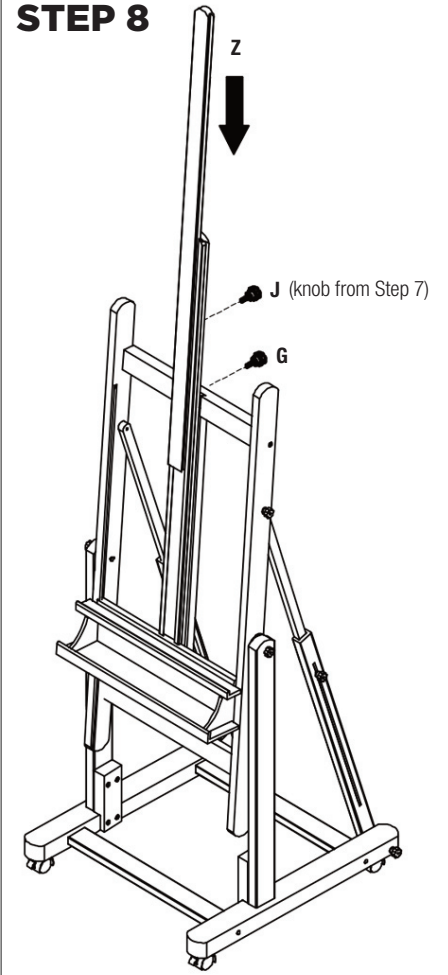
Then, connect **E** to the bottom of the tray

Continued on next page →

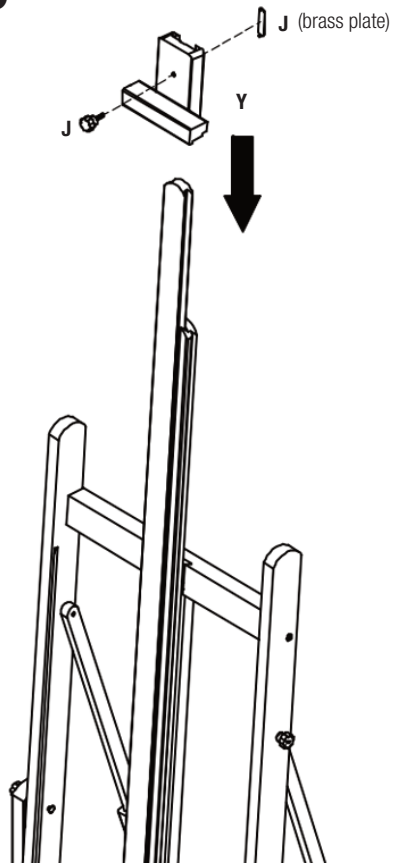
STEP 7



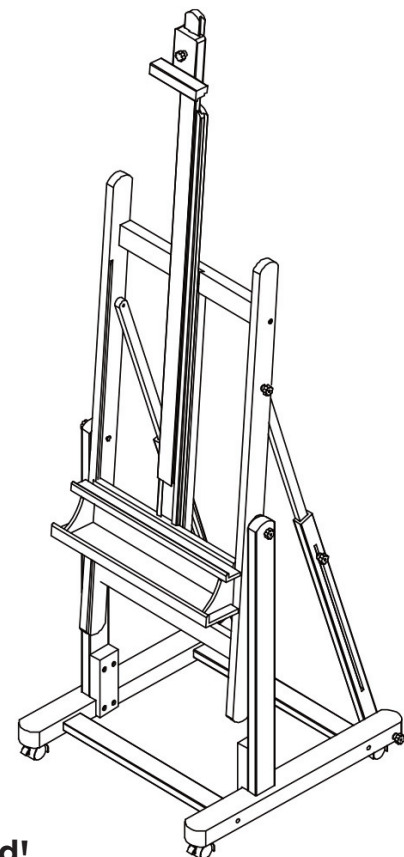
STEP 8



STEP 9



STEP 10



Completed!