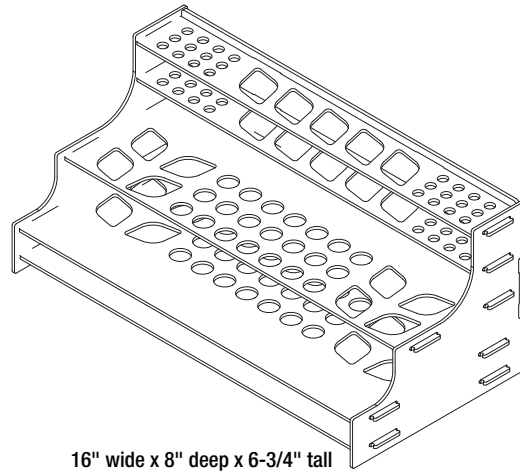


MEZZO®

Drawing Rack

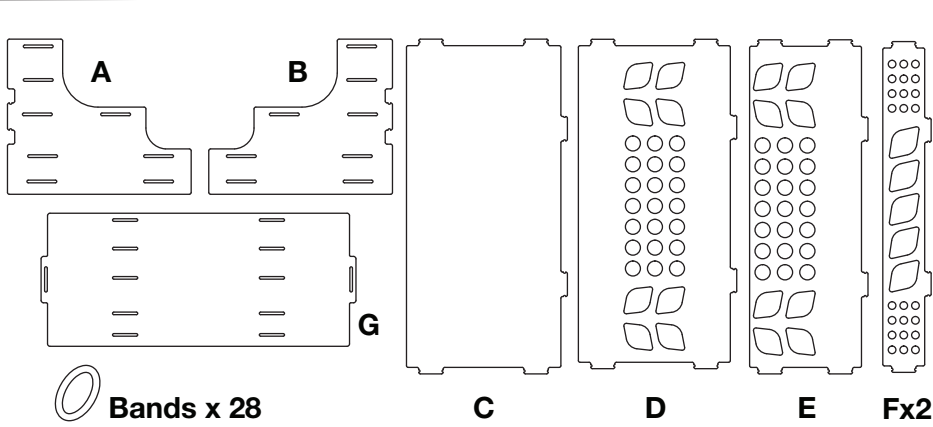
- 24 Small 3/8" diameter holes
- 21 Medium 3/4" diameter holes
- 13 Large 1-1/4" x 1-7/8" football-shaped holes



16" wide x 8" deep x 6-3/4" tall

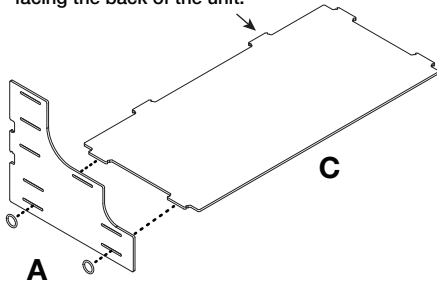
Assembly Guide

PARTS Before you begin, lay out all pieces as shown below

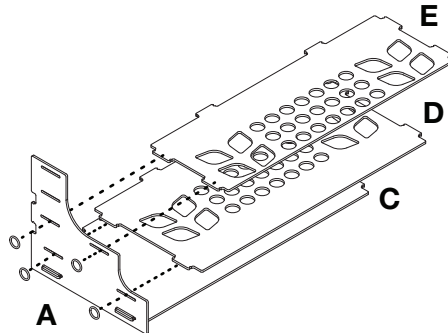


STEP 1

Tip: Be sure that all back tabs are facing the back of the unit.

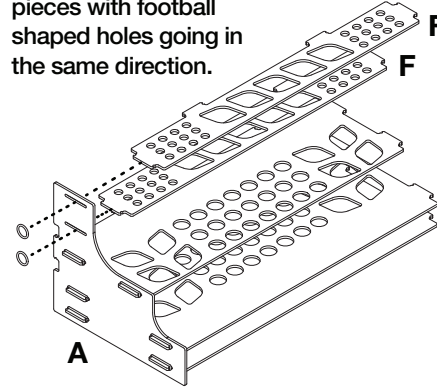


STEP 2

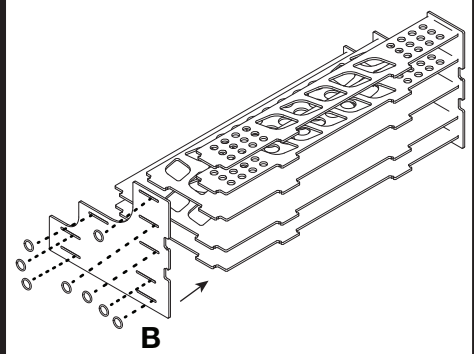


STEP 3

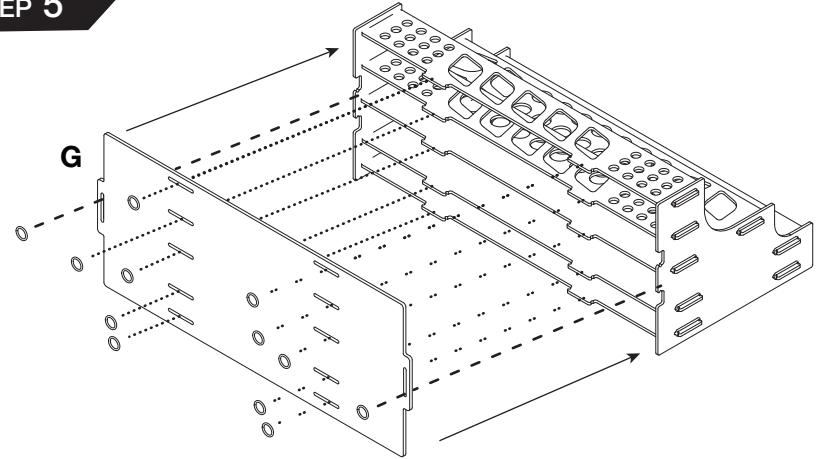
Make sure to align both **F** pieces with football shaped holes going in the same direction.



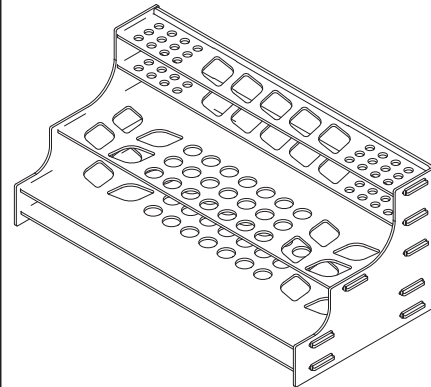
STEP 4



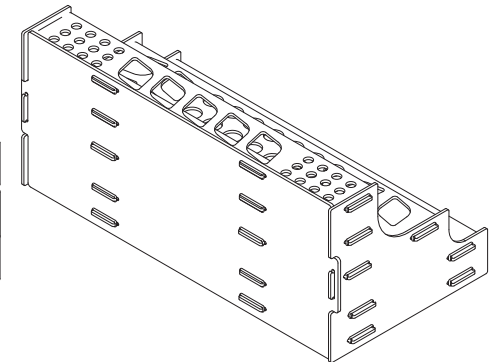
STEP 5



COMPLETE!



Completed Front View



Completed Back View