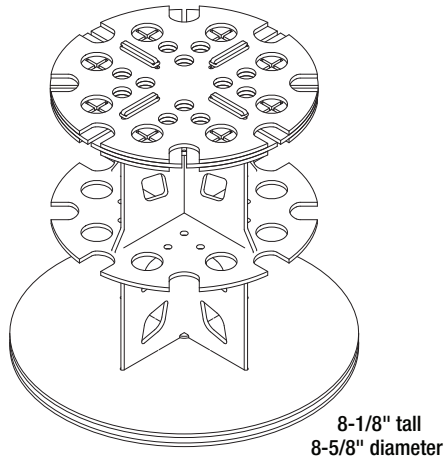


MEZZO[®]

Brush Rack

- Holds up to 28 short or long handle brushes
- 12 small holes & 8 large holes
- 8 hanging spots with foam grips
- Clear acrylic parts protect against drips

Please note: There is a protective film on all clear acrylic parts that can be removed before assembly.



Assembly Guide

PARTS Before you begin, lay out all pieces as shown below

A **B** **E**

C **D** **F x 2** **G**

ledges

male screw post female screw post Bands x 8 Clips x 4

STEP 1

C **D**

STEP 2

F **G** **F** **CD** **D**

bands

C ledges **D**

STEP 3

CD **D** **E** **F**

ledge

E will rest under the ledge.

STEP 4

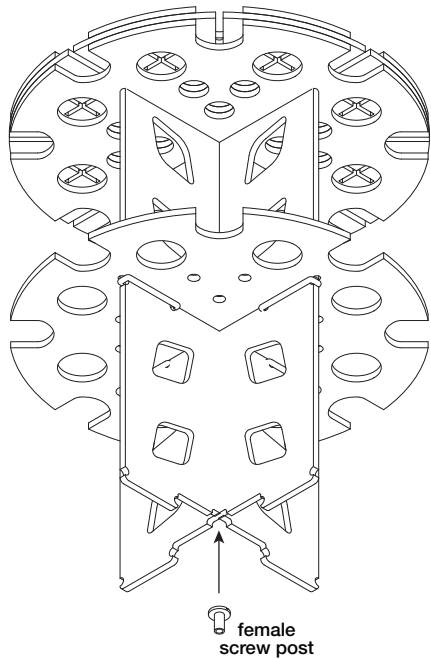
E **F** **CD** **D**

clip clip clip clip

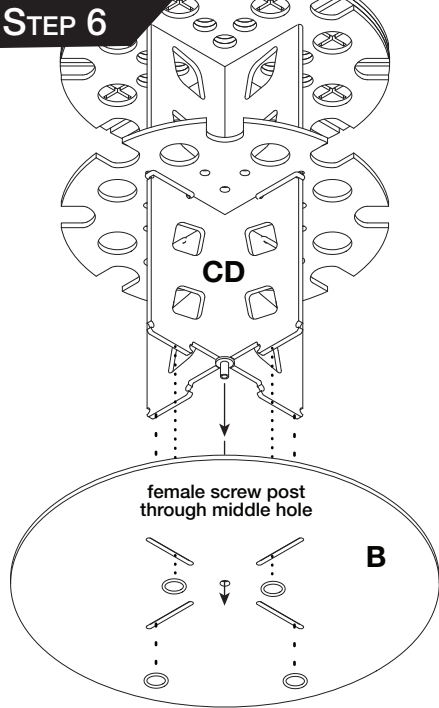
Secure clips on **CD** - under edge of **E**.

clips

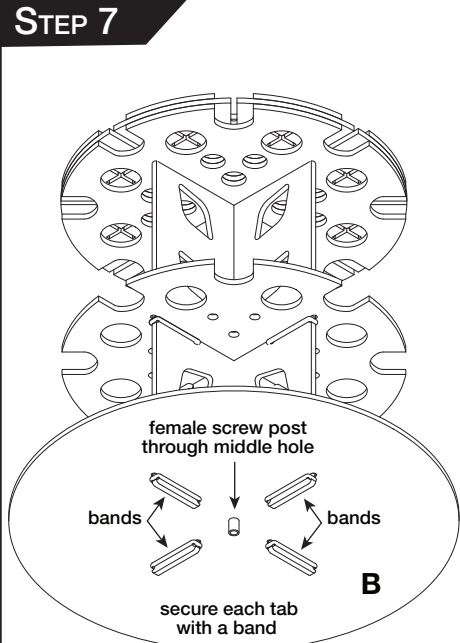
STEP 5



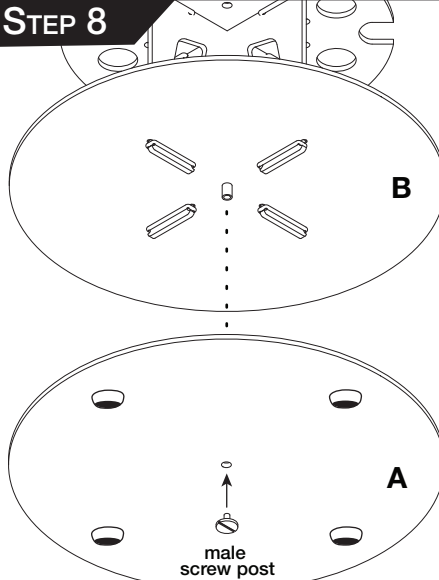
STEP 6



STEP 7

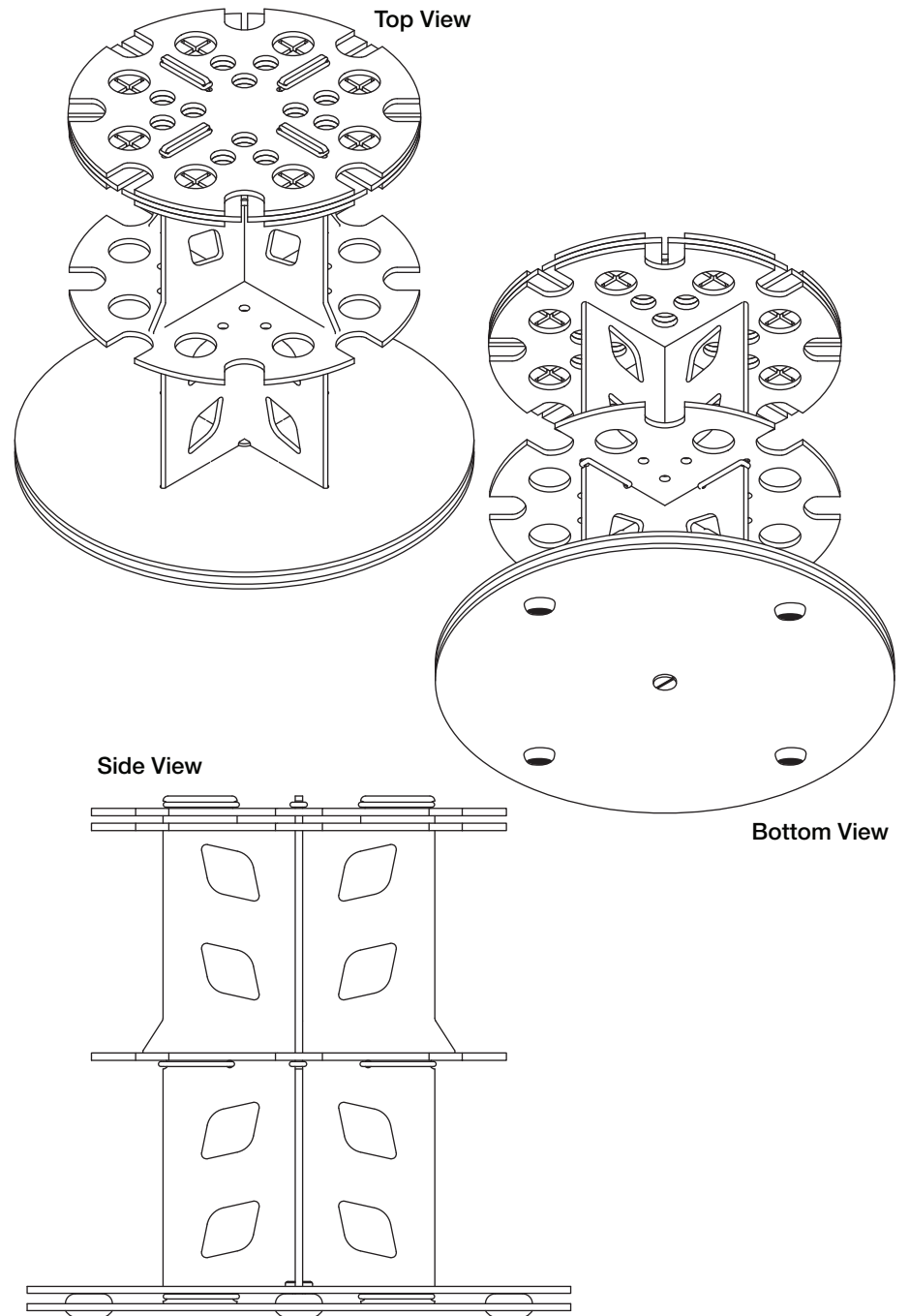


STEP 8



Part A - Make sure the hard plastic gliders are facing up and the flat rubber feet are facing down.

COMPLETE!



Important: Avoid picking up the rack by the middle ring.